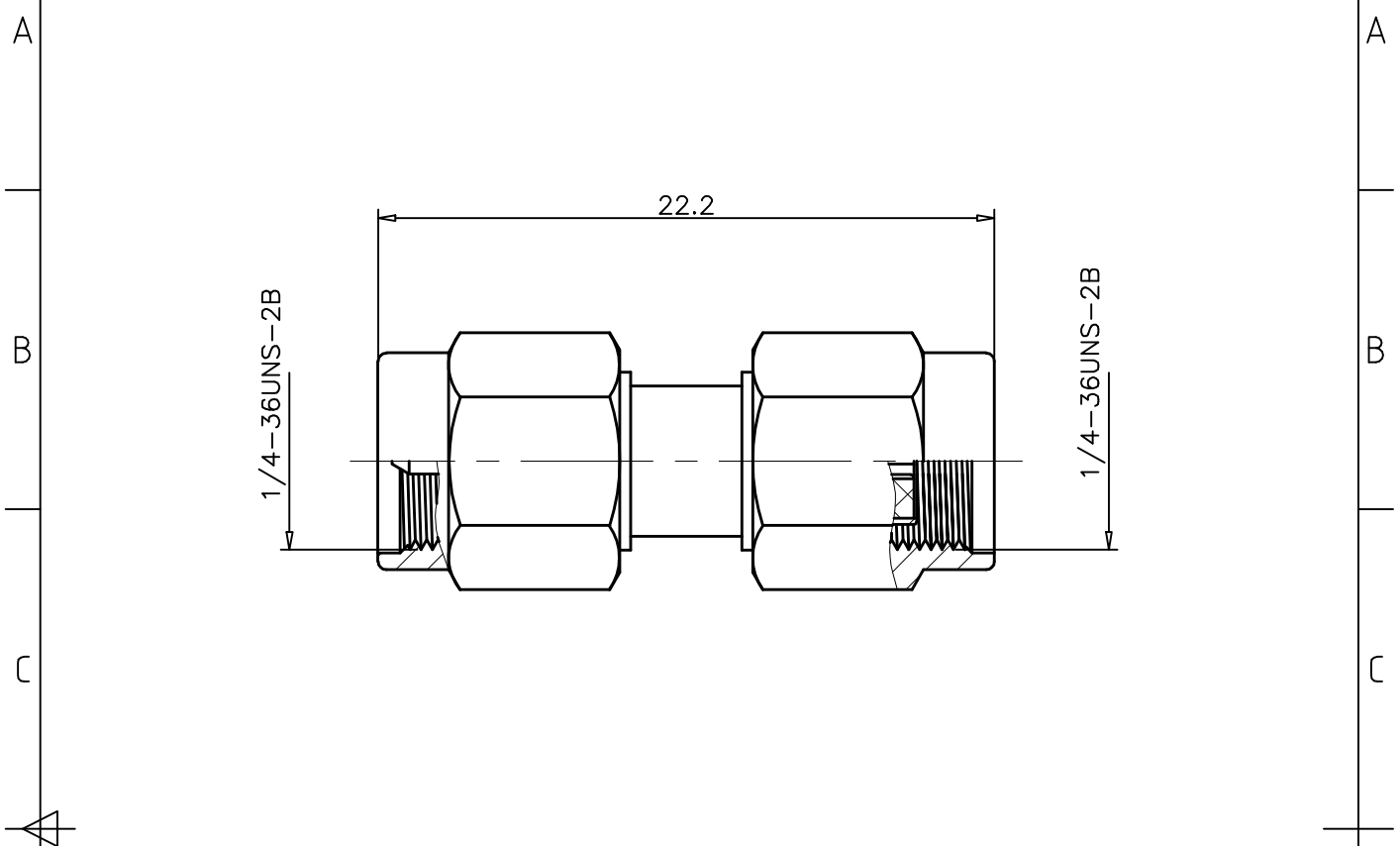


| | | | |
|-------|---------------|---------|-----------|
| 1 | 2 | 3 | 4 |
| RevNo | Revision note | Date | Signature |
| 00 | Sketch Only | 6/30/14 | Teresa |
| | | | Checked |
| | | | Simon |



Material & Finishing:

1. Center conductor: Beryllium, Gold Plating
2. Insulators: PTFE
3. Body : Brass, Gold Plating
4. Gasket: Silicone Rubber
5. Coupling Nut: Brass, Gold Plating
6. Snap Ring: Beryllium

RoHS Compliant.

ALL DIMENSIONS ARE IN MILLIMETERS AND [INCHES]

KERUI ELECTRONIC CO;LTD

Title
SMA male to RPSMA female

THESE DRAWING & SPEC. ARE THE PROPERTY OF KERUI ELECTRONIC CO;LTD AND SHALL NOT BE REPRODUCED, OR COPIED OR USED AS THE BASIS FOR THE MANUFACTURE OR SALE OF APPARATUS OR DEVICES WITHOUT THEIR EXPRESS WRITTEN CONSENT.

UNLESS OTHERWISE NOTED ALL SURFACES FINISHED TO 64/MAX.
ALL TOLERANCES ARE:
DECIMALS FRACTIONS ANGLES
x ± 1.0 ±1/64 x' ± 1'
x.x ± 0.5 x'x' ± 0.5'
x.xx ± 0.1

| | | | |
|--------------------|-----------------|--------------------|-------------------|
| Drawn by Teresa | Ckd by Simon | Appd by Richard | Date 6/30/2014 |
| Scale 4:1 | Sheet 1 of 1 | A1010 11 1120 01 | |